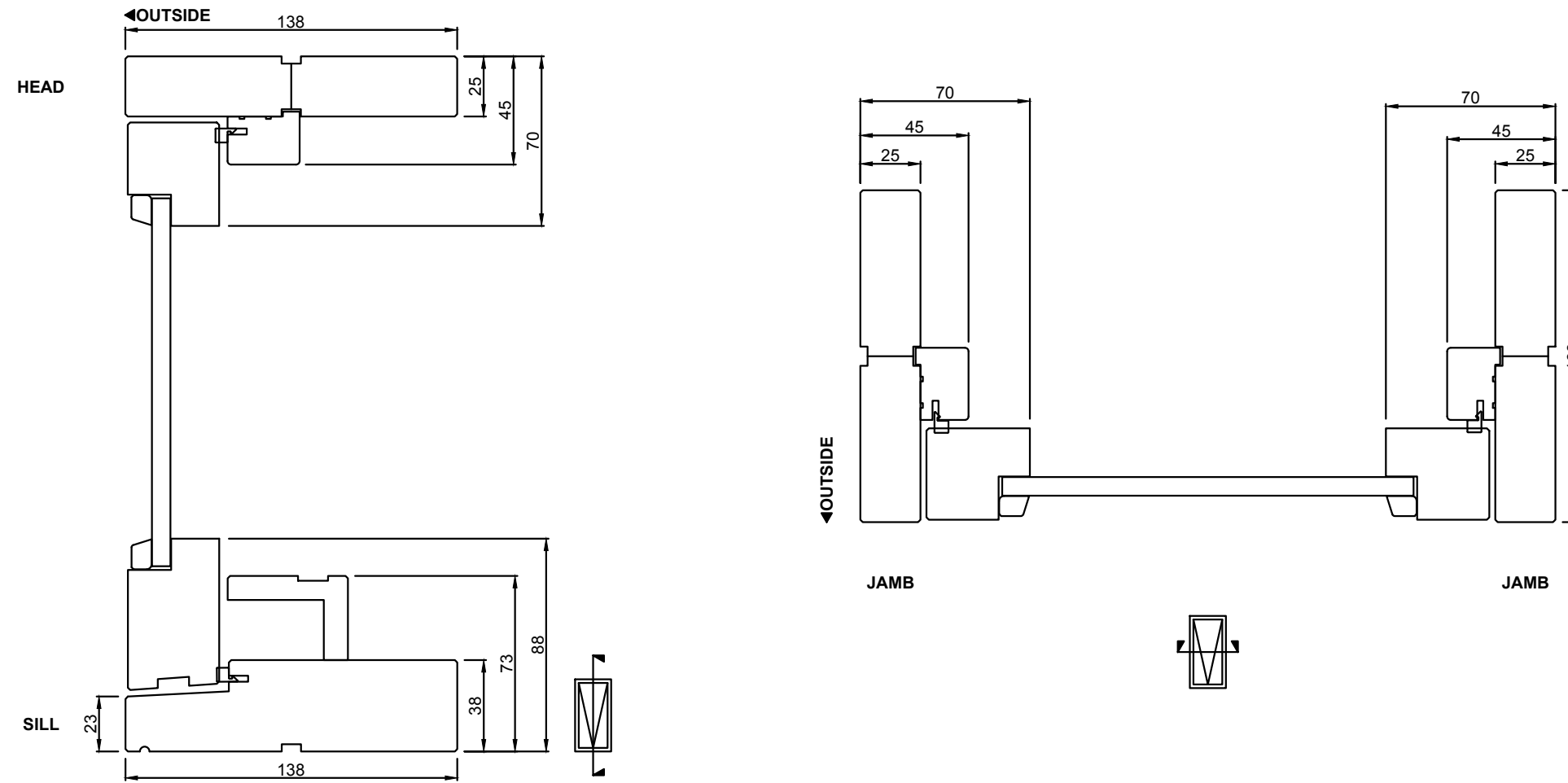


RANGE
BOTANICA

PRODUCT
AWNING

CONFIGURATION
SINGLE LITE (A)



Notice

This drawing is confidential. This drawing and its copyright are the property of or to Trend Windows & Doors and must not be used, disclosed or reproduced in any form whatsoever except as authorised in writing.

This drawing must be returned with quotation and/or completion of job as applicable

Drawing Notice

These are only a generic building in details to assist in the construction and installation of Trend Windows and Doors; please contact us for further information or enquiries.

Issue

A

Modification

FIRST ISSUE

Date

FEB 18

Date

08 02 2018

Revision

A

Drawn

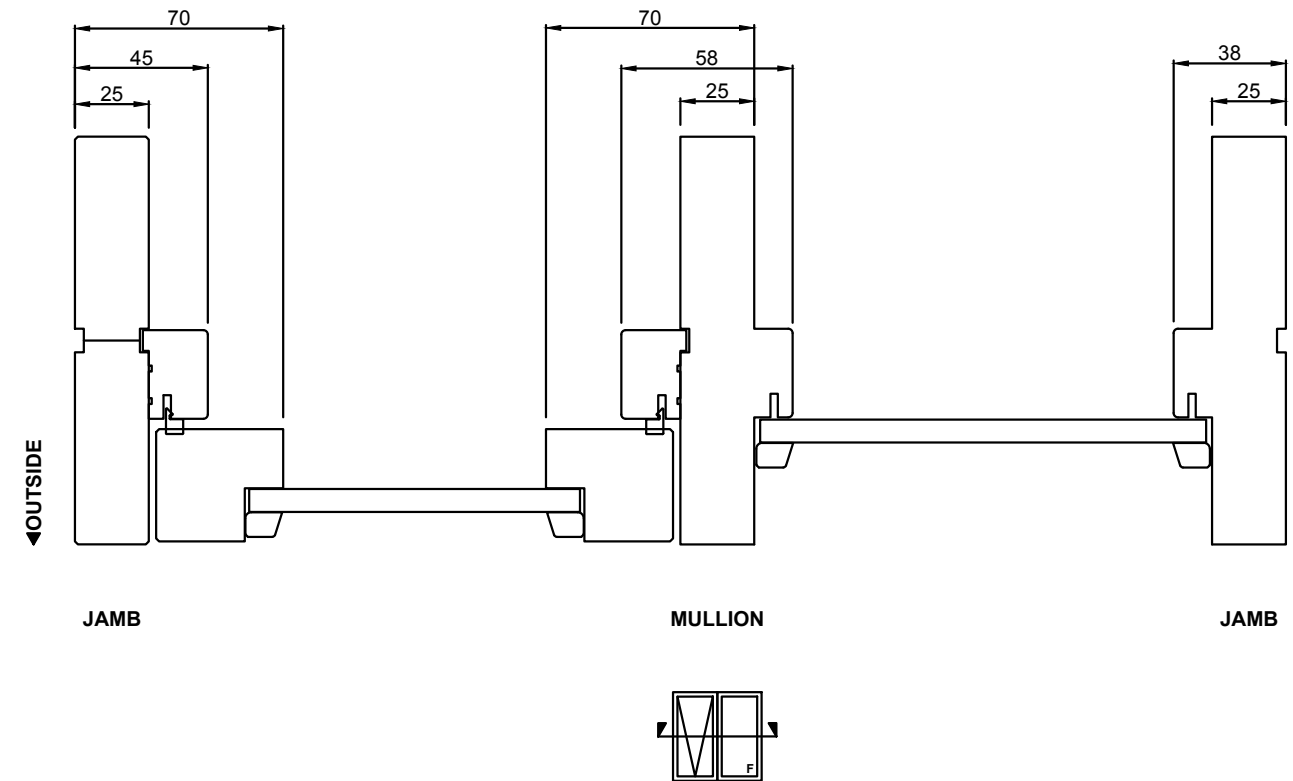
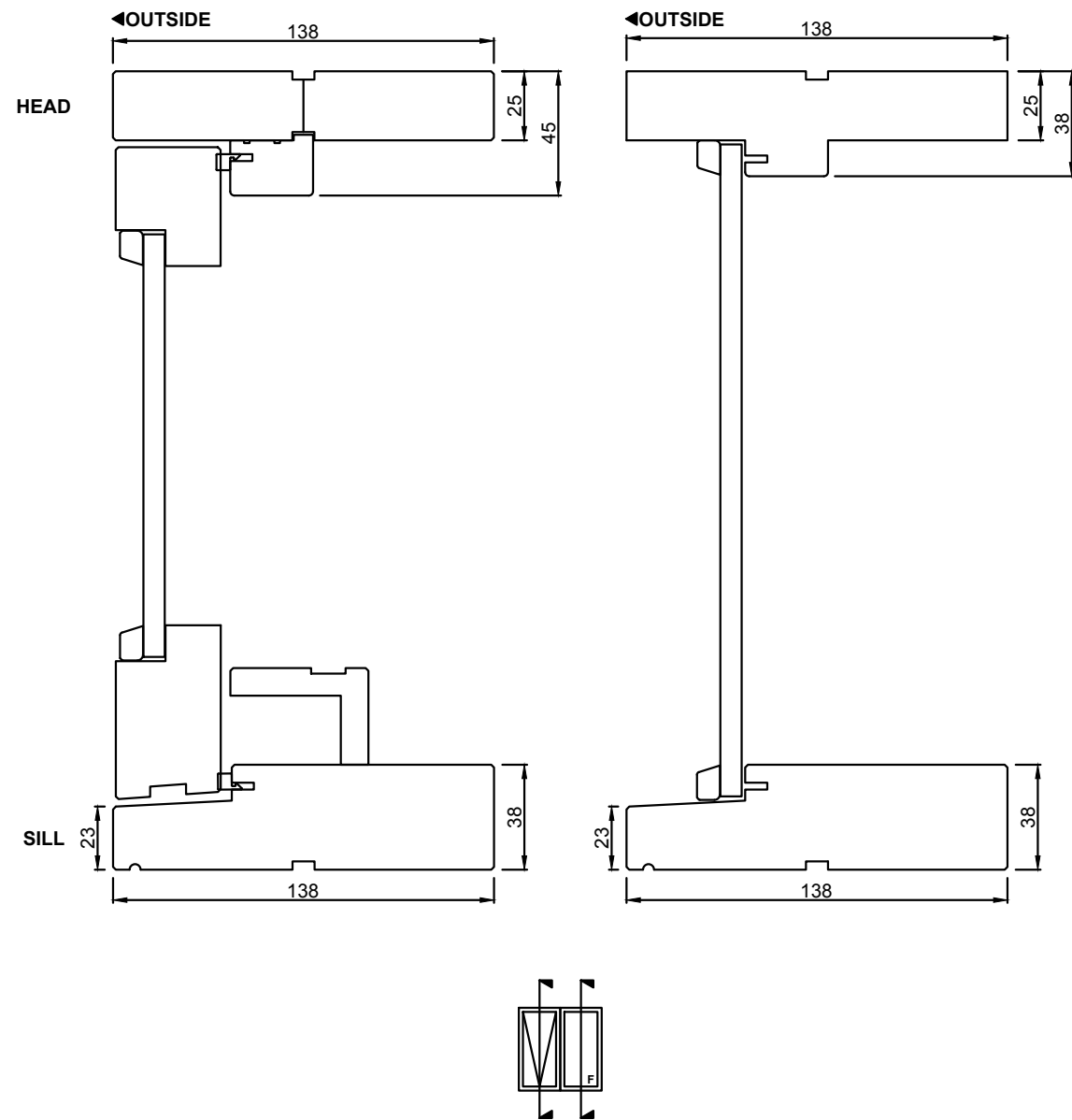
P.G.



RANGE
BOTANICA

PRODUCT
AWNING

CONFIGURATION
TWO LITE (AF)



Notice

This drawing is confidential. This drawing and its copyright are the property of or to Trend Windows & Doors and must not be used, disclosed or reproduced in any form whatsoever except as authorised in writing.

This drawing must be returned with quotation and/or completion of job as applicable

Drawing Notice

These are only a generic building in details to assist in the construction and installation of Trend Windows and Doors; please contact us for further information or enquiries.

Issue

A

Modification

FIRST ISSUE

Date

FEB 18

Date

08 02 2018

Revision

A

Drawn

P.G.



RANGE

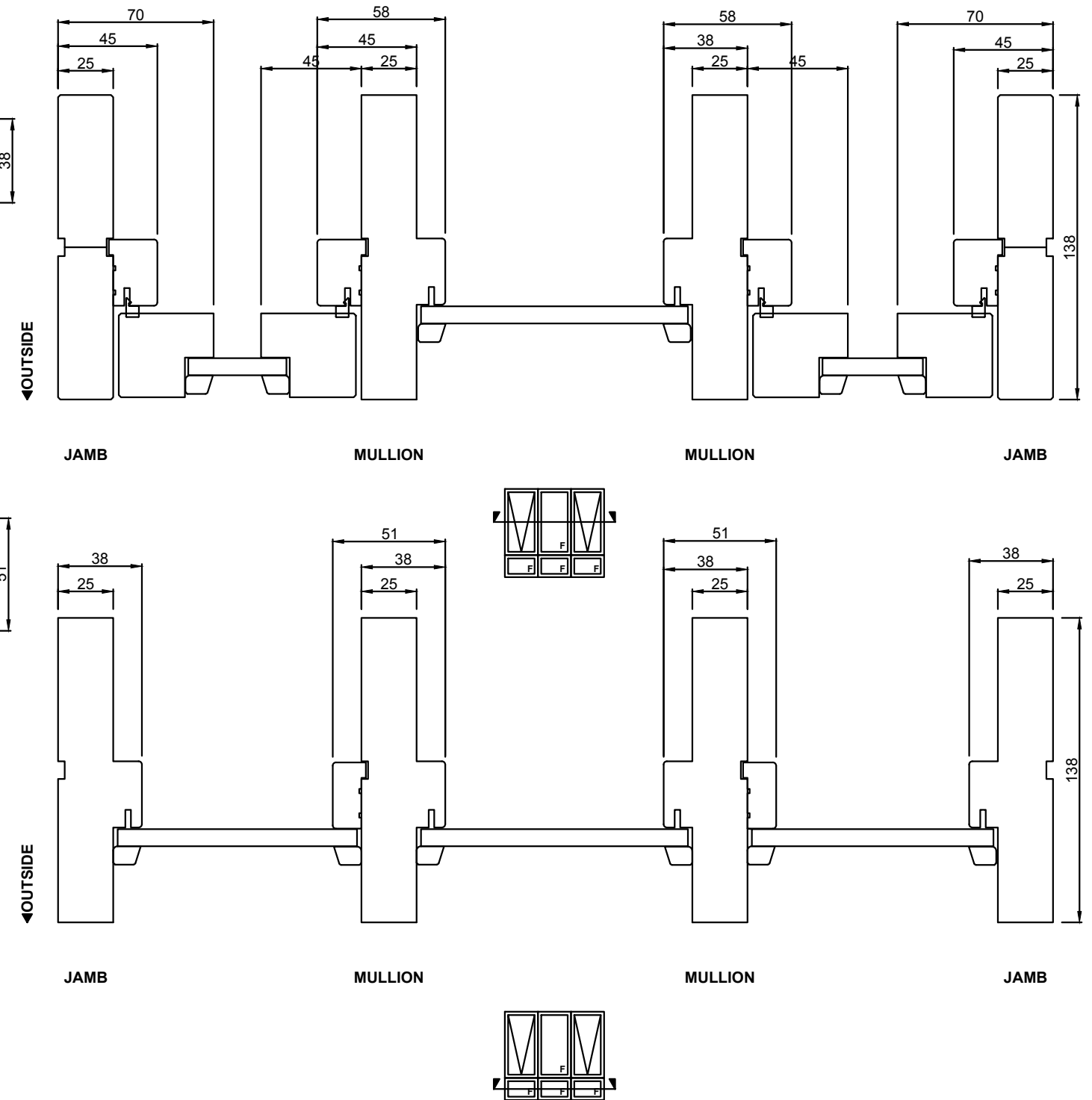
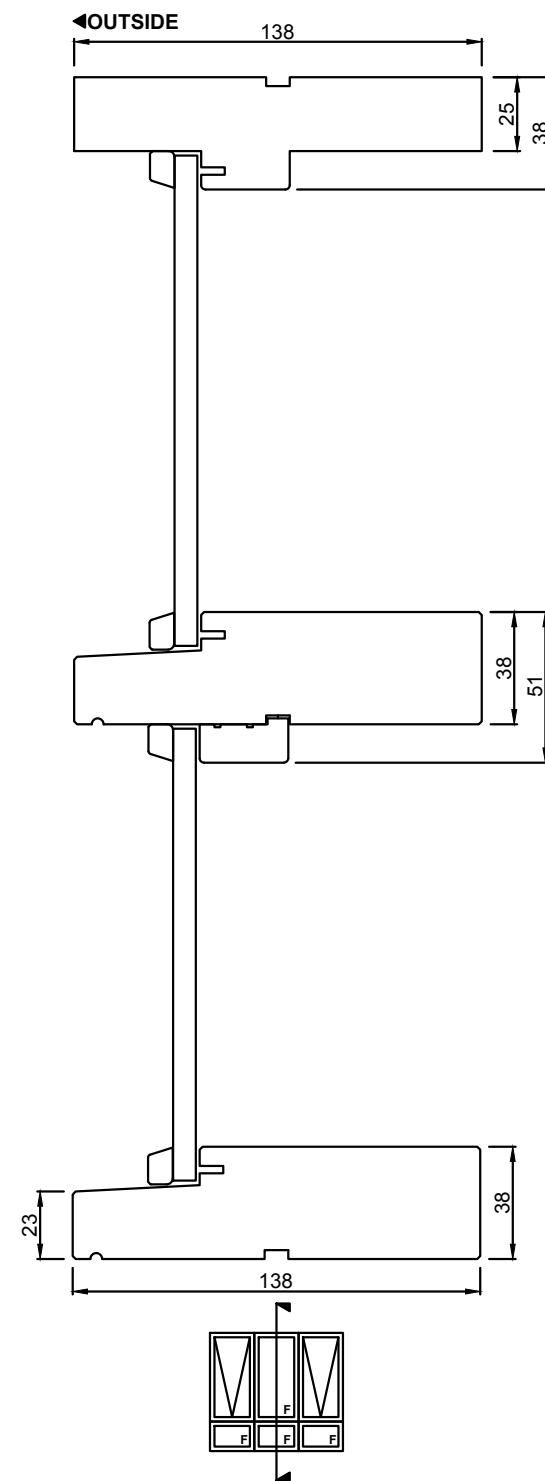
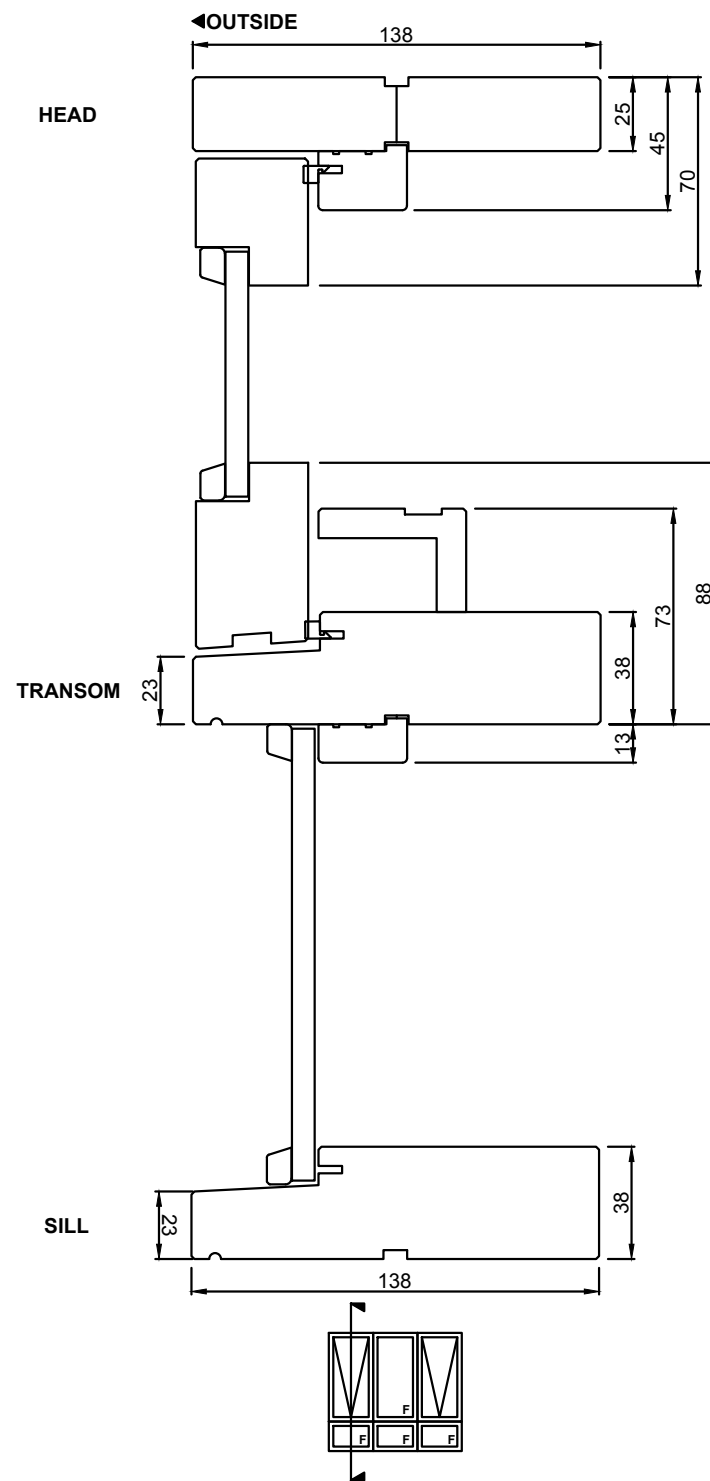
BOTANICA

PRODUCT

AWNING

CONFIGURATION

THREE LITE WITH TRANSOM (AFA/FFF)



Notice

This drawing is confidential. This drawing and its copyright are the property of or to Trend Windows & Doors and must not be used, disclosed or reproduced in any form whatsoever except as authorised in writing.

This drawing must be returned with quotation and/or completion of job as applicable

Drawing Notice

These are only a generic building in details to assist in the construction and installation of Trend Windows and Doors; please contact us for further information or enquiries.

Issue

A

Modification

FIRST ISSUE

Date

FEB 18

Date

08 02 2018

Revision

A

Drawn

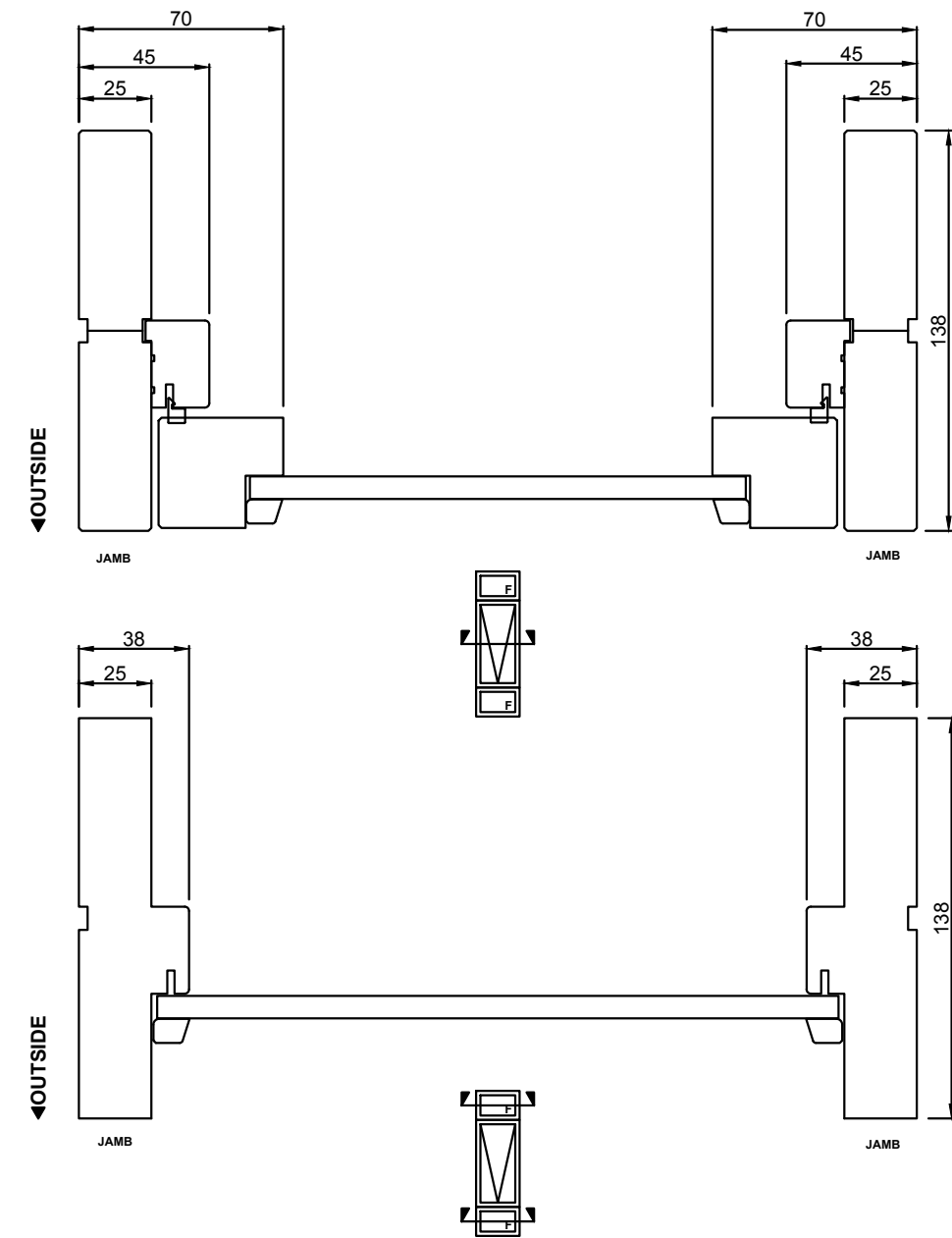
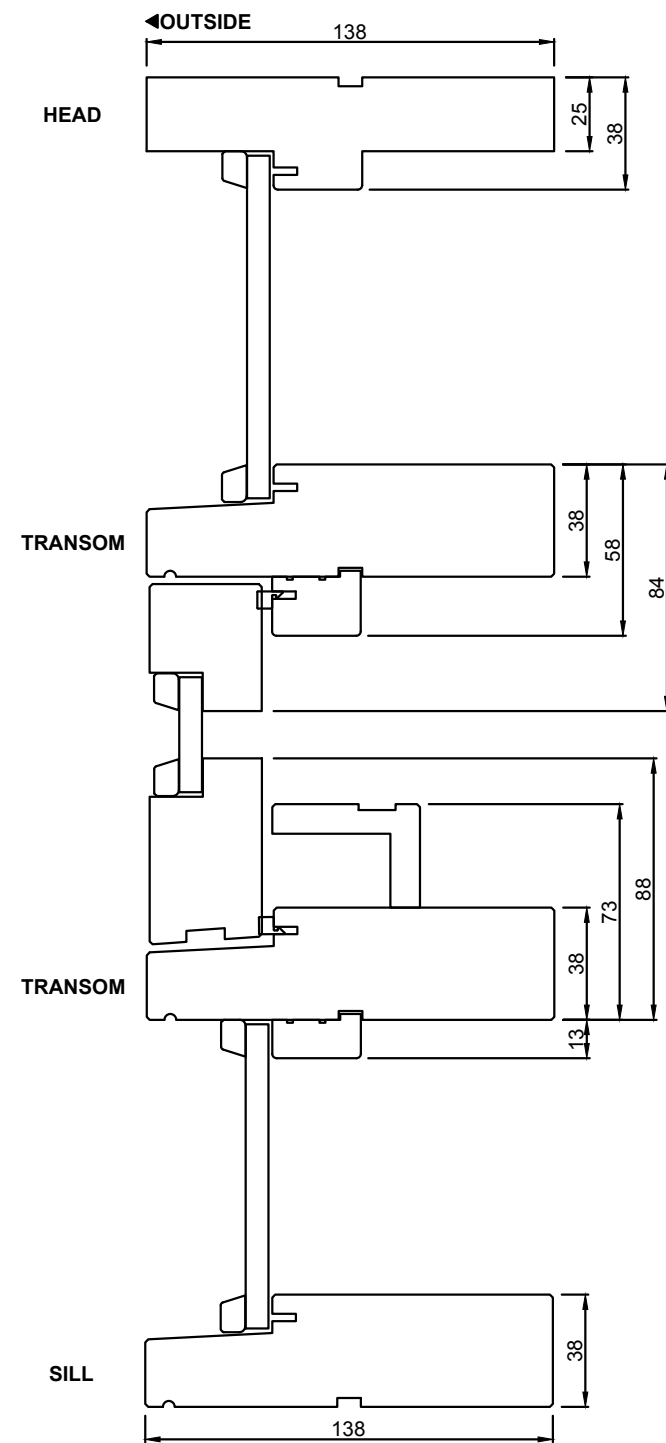
P.G.



RANGE
BOTANICA

PRODUCT
AWNING

CONFIGURATION
SINGLE LITE WITH HI AND LO LITE (F/A/F)



Notice

This drawing is confidential. This drawing and its copyright are the property of or to Trend Windows & Doors and must not be used, disclosed or reproduced in any form whatsoever except as authorised in writing.

This drawing must be returned with quotation and/or completion of job as applicable

Drawing Notice

These are only a generic building in details to assist in the construction and installation of Trend Windows and Doors; please contact us for further information or enquiries.

Issue

A

Modification

FIRST ISSUE

Date

FEB 18

Date

08 02 2018

Revision

A

Drawn

P.G.



RANGE

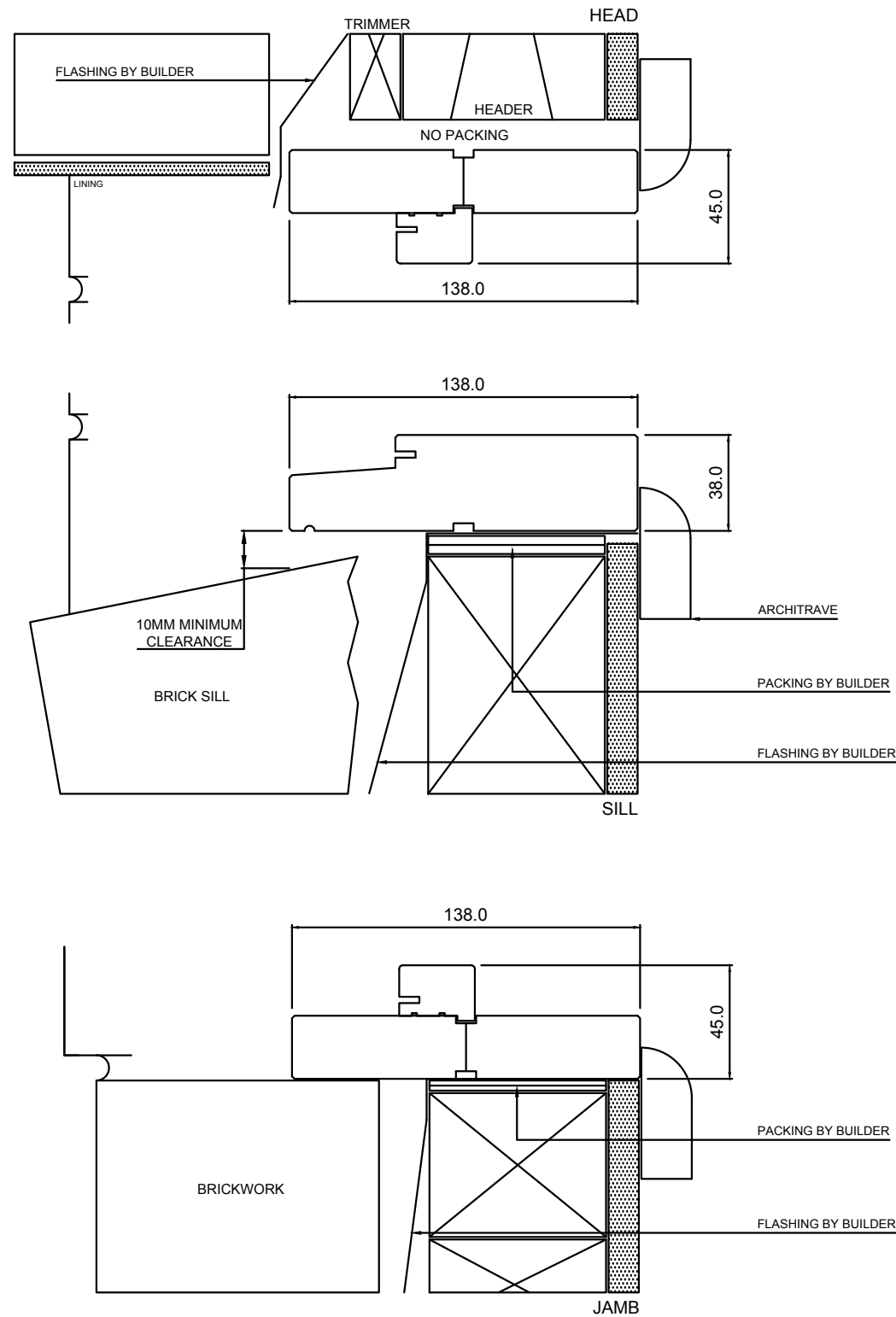
BOTANICA


PRODUCT

AWNING

CONFIGURATION

BUILDING IN DETAIL - BRICK VENEER



	Notice	Drawing Notice	Issue	Modification	Date	Date	
	This drawing is confidential. This drawing and its copyright are the property of or to Trend Windows & Doors and must not be used, disclosed or reproduced in any form whatsoever except as authorised in writing.	These are only a generic building in details to assist in the construction and installation of Trend Windows and Doors; please contact us for further information or enquiries.	A	FIRST ISSUE	APR 18	26 04 2018	
	This drawing must be returned with quotation and/or completion of job as applicable					Revision	
						A	
						Drawn	
					J.L		

RANGE

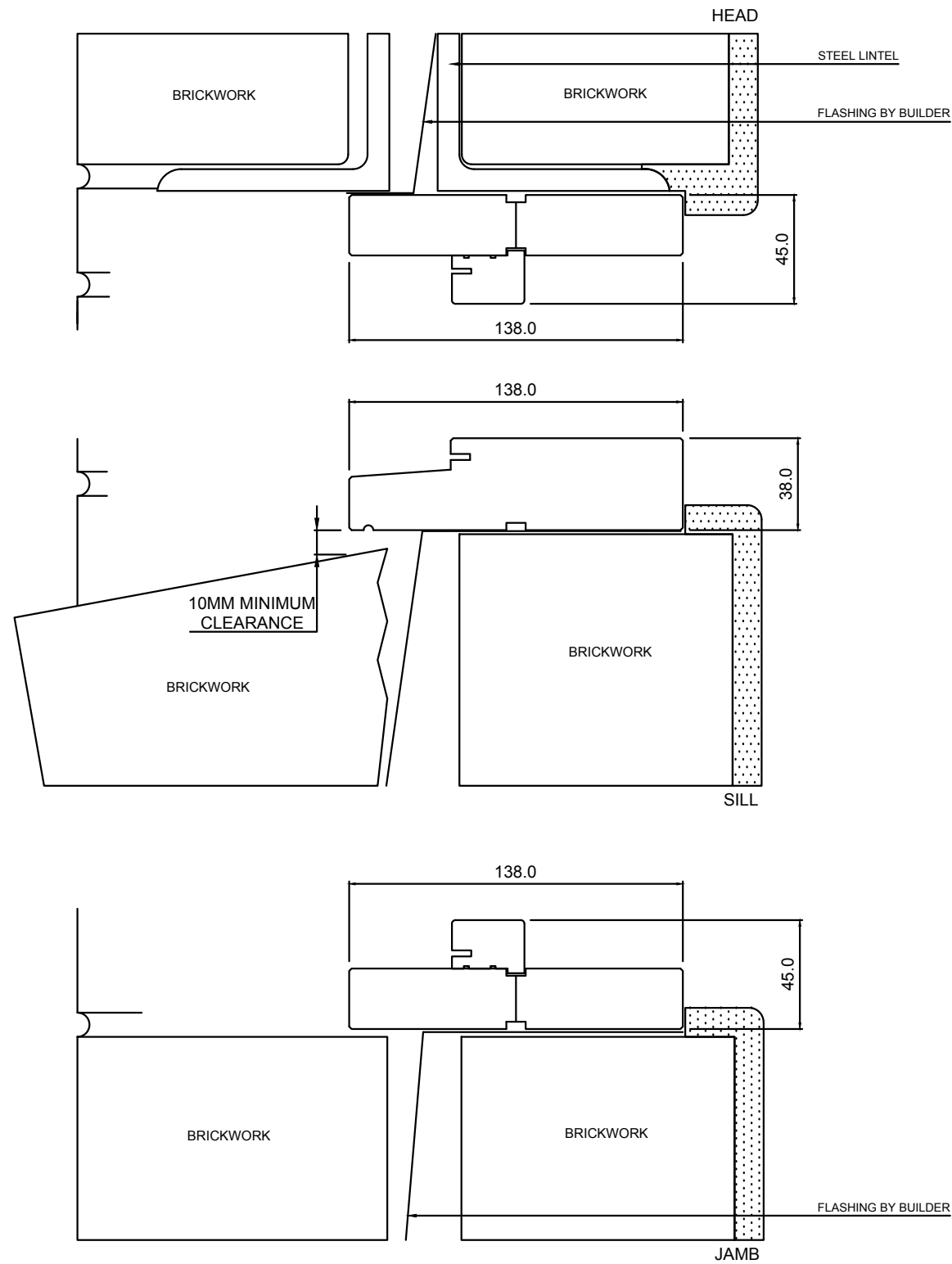
BOTANICA

PRODUCT

AWNING

CONFIGURATION

BUILDING IN DETAIL - DOUBLE BRICK



Notice

This drawing is confidential. This drawing and its copyright are the property of or to Trend Windows & Doors and must not be used, disclosed or reproduced in any form whatsoever except as authorised in writing.

This drawing must be returned with quotation and/or completion of job as applicable

Drawing Notice

These are only a generic building in details to assist in the construction and installation of Trend Windows and Doors; please contact us for further information or enquiries.

Issue

A

Modification

FIRST ISSUE

Date

APR 18

Date

26 04 2018

Revision

A

Drawn

J.L



RANGE

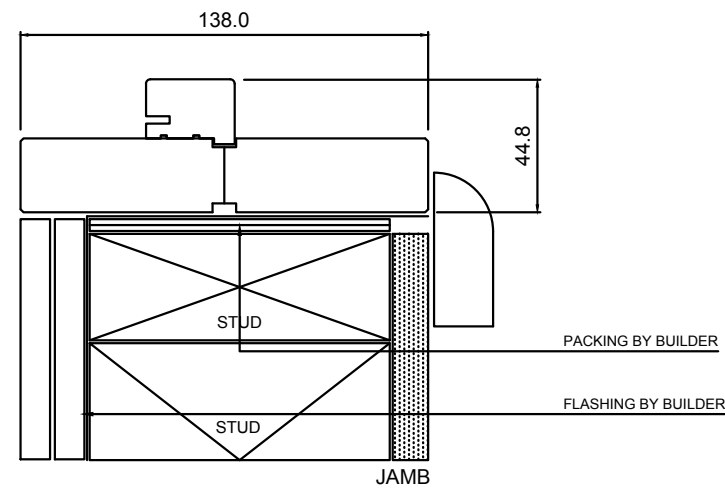
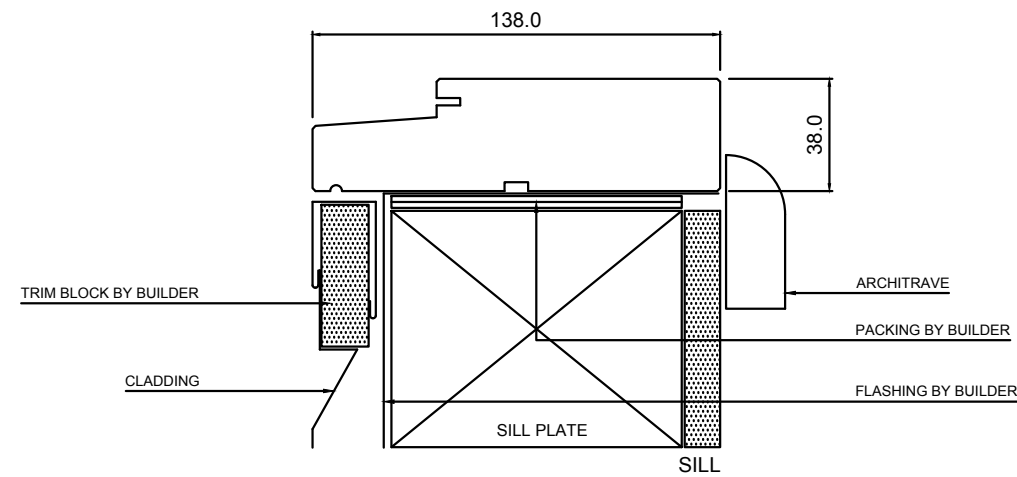
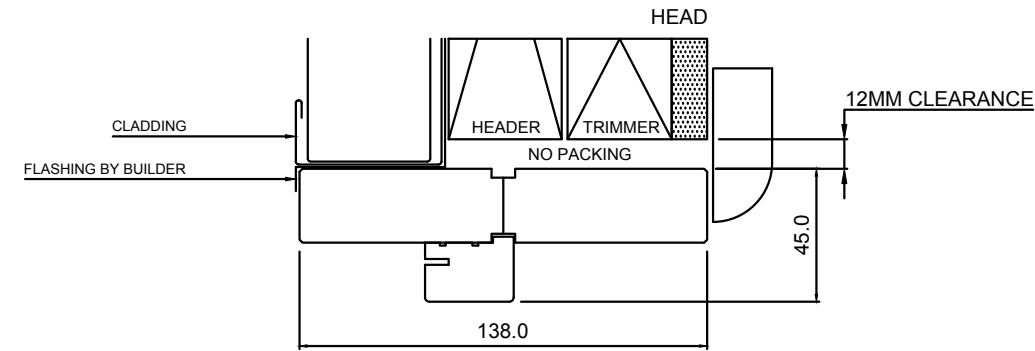
BOTANICA

PRODUCT

AWNING

CONFIGURATION

BUILDING IN DETAIL - CLADDING



Notice

This drawing is confidential. This drawing and its copyright are the property of or to Trend Windows & Doors and must not be used, disclosed or reproduced in any form whatsoever except as authorised in writing.

This drawing must be returned with quotation and/or completion of job as applicable

Drawing Notice

These are only a generic building in details to assist in the construction and installation of Trend Windows and Doors; please contact us for further information or enquiries.

Issue

A

Modification

FIRST ISSUE

Date

APR 18

Date

26 04 2018

Revision

A

Drawn

J.L

