

WINDOW & DOOR TRIMS INTEGRATED FLASHING



Trend's new integrated flashing creates a weatherproof seal around your window and door frame, protecting the internal building fabric of the home from rainwater and moisture damage.

- Factory fitted, so it surrounds the entire window, including head, jambs and sill, as well as the head and jambs of doors.
- Helps protect your home against the costly impact of moisture and water damage.
- Reduces air infiltration and draughts by providing a seal between the window or door and the stud opening.
- Colour matched to windows and doors.
- Reduces window and door installation time and labour costs.
- Removes the need for a builder to install an external timber architrave.
- Replaces the need for other flashing materials, including Z flashing, because the sarking sits directly on top of the aluminium fin.
- Tested in a NATA-approved testing facility and outperforms conventional flashing methods.
- Ensures compliance with the NCC.



Provides a clean finish

Because there is no need for an external architrave, our integrated flashing provides a clean finish for weatherboard cladding (up to 36mm).

WINDOW & DOOR TRIMS INTEGRATED FLASHING

Specifications

Product	Integrated flashing
Product series	For use on Quantum and Synergy windows and doors
Colour options	Available in powdercoat colours from the Trend Standard, Designer and Textura ranges
Installation	By builder
Warranty	10-year warranty

Installation

Step 1

Install window or door into the opening from the outside of the building.



Step 2

Apply a continuous bead of Polyurethane Sealant around the perimeter of the adaptor and install the sarking while sealant is wet.

Step 3

Install cladding or lightweight construction material.

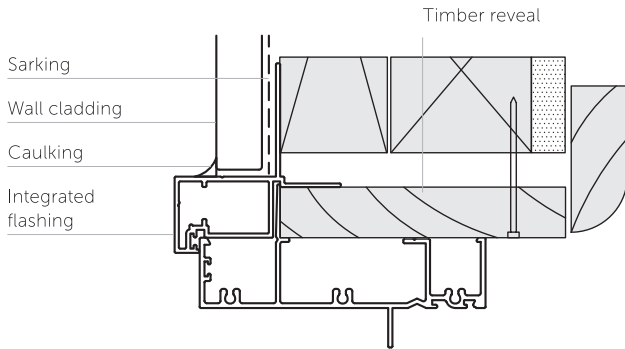
WINDOW & DOOR TRIMS INTEGRATED FLASHING

Building in details

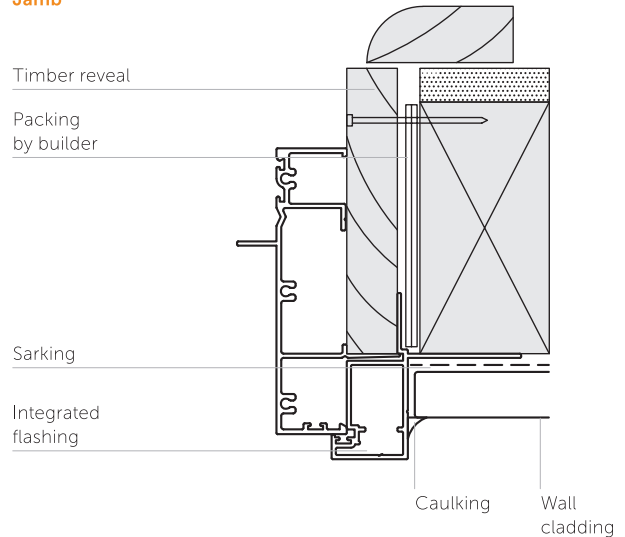


Quantum window with Integrated Flashing shown above and in drawings below.

Head



Jamb



Sill

